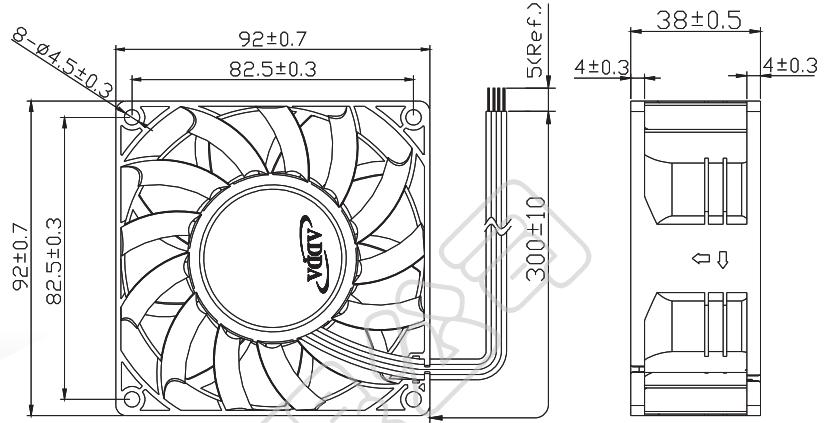




AS9238 SERIES

Preliminary

External Dimensions



Frame:Plastic(UL:94V-0)
 Impeller:Plastic(UL:94V-0)
 Lead wire:UL1430AWG24

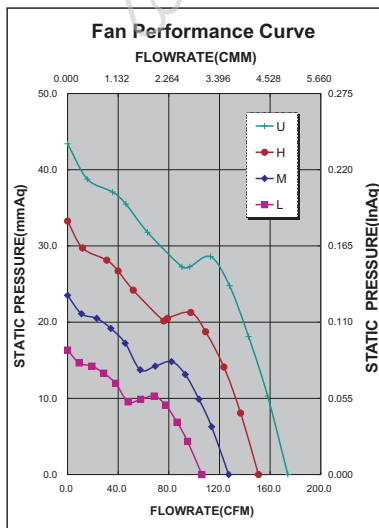
Specifications(Nominal)

*:Noise is measured at the distance of one (1) meter from the axis of intake.

Bearing type: ◎=Ball ※=Sleeve ○=1B1S ●=Hypro bearing

Frame size (mm)	Model No.	Bearing System Type	Rated Voltage (VDC)	Current (A)	Power (W)	Rated Speed (rpm)	Maximum AirFlow (CMM)	Maximum AirFlow (CFM)	Maximum Pressure (InAq)	Maximum Pressure (mmAq)	*Noise Level (dB/A)	Weight (g)
92x92x38	AS09212LB389BB0	◎	12	0.98	12.00	5000	2.999	106.000	0.643	16.332	55.0	255.0
	AS09212MB389BB0	◎	12	1.55	19.00	6000	3.594	127.000	0.926	23.520	61.0	
	AS09212HB389BB0	◎	12	2.24	27.00	7000	4.273	151.000	1.308	33.223	64.0	
	AS09212UB389BB0	◎	12	3.50	42.00	8000	4.924	174.000	1.708	43.383	68.0	

Specifications subject to change without notice.



*Motor protective circuit and third lead wire functions

0	1	2	3	4	6	7	8	9	A	B
	✓	✓	✓							✓

*Safety approvals

✓	✓		✓	✓