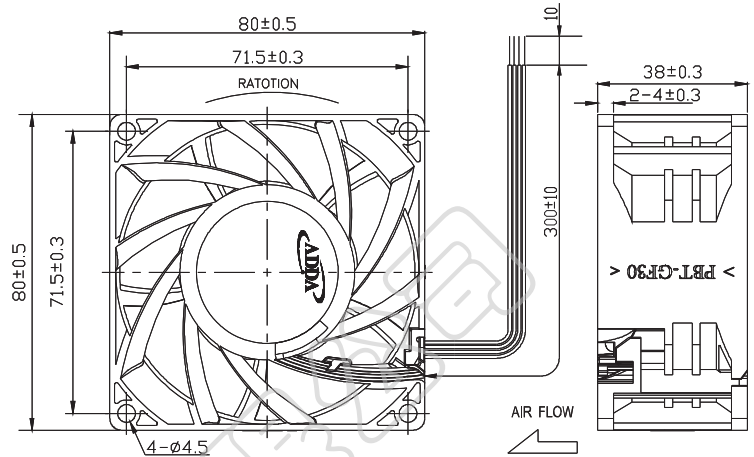




AS8038(5) SERIES

External Dimensions



Frame:Plastic(UL:94V-0)
 Impeller:Plastic(UL:94V-0)
 Lead wire:UL1430AWG24

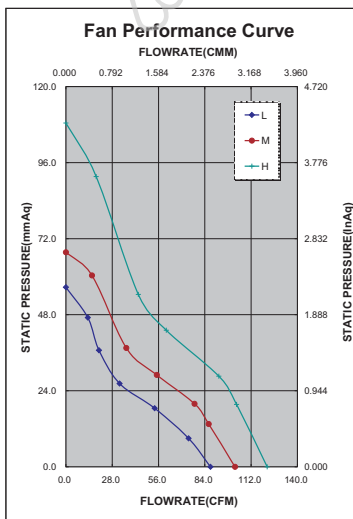
Specifications(Nominal)

*:Noise is measured at the distance of one (1) meter from the axis of intake.

Bearing type: ◎=Ball ※=Sleeve ○=1B1S ●=Hypro bearing

| Frame size (mm) | Model No. | Bearing System Type | Rated Voltage (VDC) | Current (A) | Power (W) | Rated Speed (rpm) | Maximum AirFlow (CMM) | Maximum AirFlow (CFM) | Maximum Pressure (InAq) | Maximum Pressure (mmAq) | *Noise Level (dB/A) | Weight (g) |
|-----------------|-----------------|---------------------|---------------------|-------------|-----------|-------------------|-----------------------|-----------------------|-------------------------|-------------------------|---------------------|------------|
| 80x80x38 | AS08012LB385BB1 | ◎ | 12 | 1.15 | 13.80 | 12000 | 2.475 | 87.403 | 2.304 | 58.530 | 64.6 | |
| | AS08012MB385BB1 | ◎ | 12 | 1.70 | 20.40 | 14000 | 2.896 | 102.281 | 2.750 | 69.840 | 68.3 | 208.0 |
| | AS08012HB385BB1 | ◎ | 12 | 2.34 | 28.08 | 16000 | 3.446 | 121.689 | 4.393 | 111.590 | 71.8 | |

Specifications subject to change without notice.



*Motor protective circuit and third lead wire functions

| 0 | 1 | 2 | 3 | 4 | 6 | 7 | 8 | 9 | A | B |
|---|---|---|---|---|---|---|---|---|---|---|
| | ✓ | ✓ | ✓ | | | | | | | ✓ |

*Safety approvals

| | | | | |
|---|---|---|--|---|
| | | | | |
| ✓ | ✓ | ✓ | | ✓ |