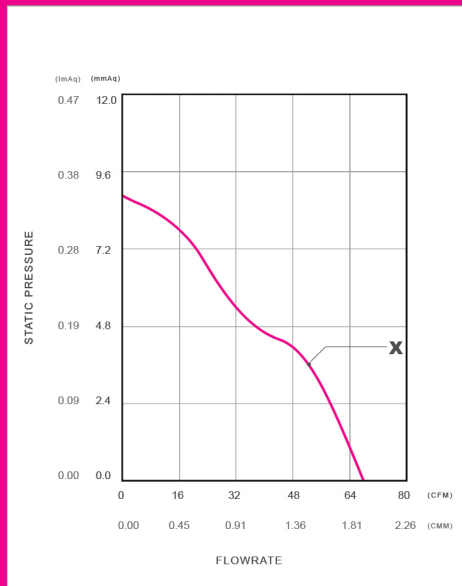


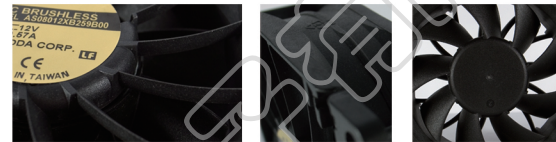
DC FAN

AS8025



Fan Performance Curve

Frame: Plastic (UL: 94V-0)
 Impeller: Plastic (UL: 94V-0)
 Lead wire: UL1007AWG24



Frame size (mm)	80x80x25
Model No.	AS08012XB259100
Bearing System Type	Ball
Rated Voltage (VDC)	12
Current (A)	0.48
Power (W)	5.76
Rated Speed (rpm)	4500
Maximum AirFlow	
(CMM)	1.97
(CFM)	68.2
Maximum Pressure	
(InAq)	0.349
(mmAq)	8.86
*Noise Level (dB/A)	52
Weight (g)	86

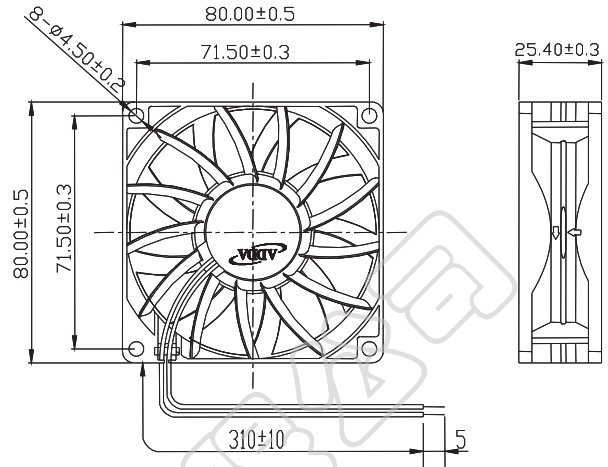




AS8025 SERIES



External Dimensions



Frame: Plastic(UL:94V-0)
 Impeller: Plastic(UL:94V-0)
 Lead wire: UL1007AWG24

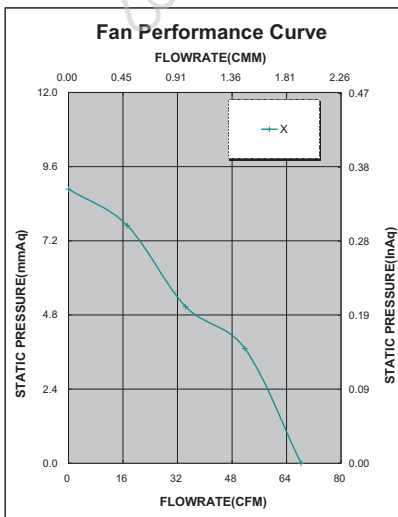
Specifications(Nominal)

*Noise is measured at the distance of one (1) meter from the axis of intake.

Bearing type: ◎=Ball ※=Sleeve ○=1B1S ●=Hypro bearing

Frame size (mm)	Model No.	Bearing System Type	Rated Voltage (VDC)	Current (A)	Power (W)	Rated Speed (rpm)	Maximum AirFlow (CMM)	Maximum AirFlow (CFM)	Maximum Pressure (InAq)	Maximum Pressure (mmAq)	*Noise Level (dB/A)	Weight (g)
80x80x25	AS08012XB259100	◎	12	0.48	5.76	4500	1.970	68.20	0.349	8.86	52.0	86.0

Specifications subject to change without notice.



*Motor protective circuit and third lead wire functions

0	1	2	3	4	6	7	8	9	A	B
	✓	✓	✓							

*Safety approvals

✓	✓			✓