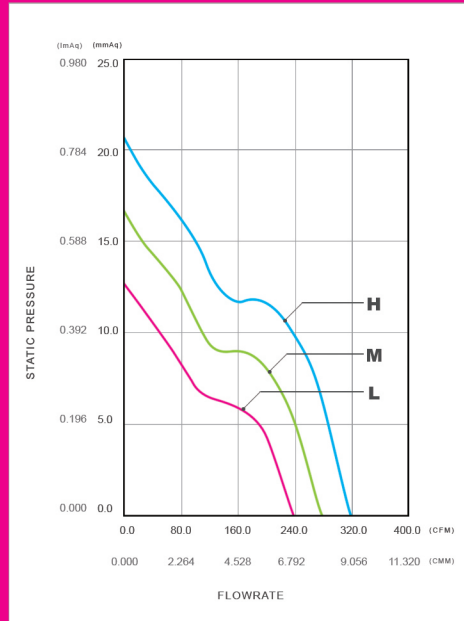
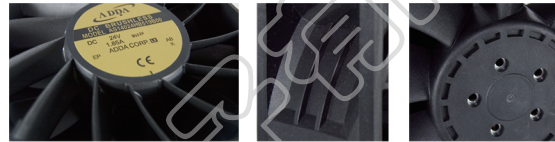


AS14051



Frame: Plastic (UL: 94V-0)
 Impeller: Plastic (UL: 94V-0)
 Lead wire: UL1007AWG24



Fan Performance Curve

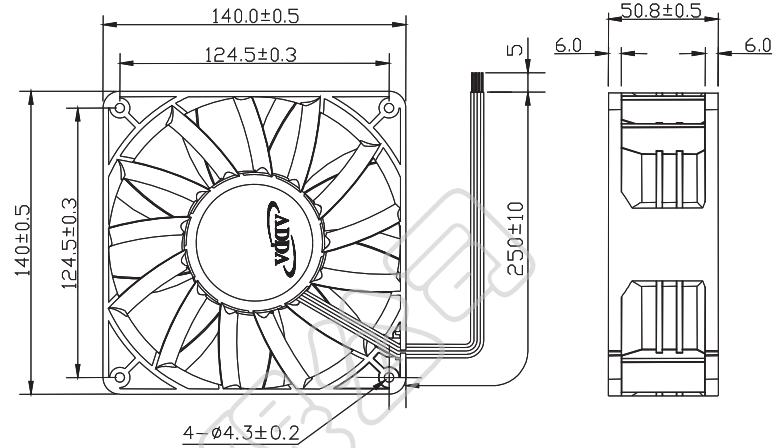
	140x140x51		
	AS14024LB519B00	AS14024MB519B00	AS14024HB519B00
Frame size (mm)			
Model No.	AS14024LB519B00	AS14024MB519B00	AS14024HB519B00
Bearing System Type	Ball	Ball	Ball
Rated Voltage (VDC)	24	24	24
Current (A)	0.80	1.10	1.50
Power (W)	19.20	26.40	36.00
Rated Speed (rpm)	2800	3200	3600
Maximum AirFlow			
(CMM)	6.725	7.838	8.973
(CFM)	237.500	276.800	316.900
Maximum Pressure			
(InAq)	0.515	0.669	0.834
(mmAq)	13.100	17.000	21.200
*Noise Level (dB/A)	56.0	60.0	64.0
Weight (g)	710.0	710.0	710.0





AS14051 SERIES

External Dimensions



Frame: Plastic(UL:94V-0)
 Impeller: Plastic(UL:94V-0)
 Lead wire: UL1007AWG24

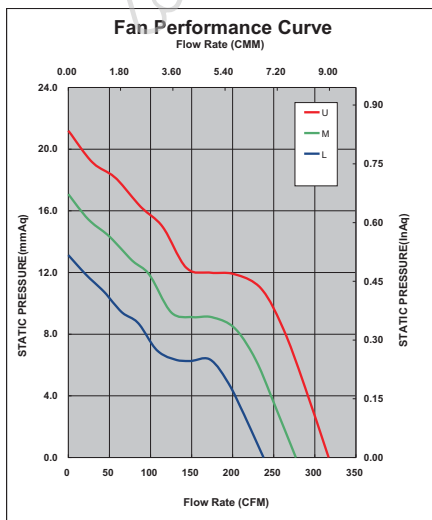
Specifications(Nominal)

*:Noise is measured at the distance of one (1) meter from the axis of intake.

Bearing type: ◎=Ball ※=Sleeve ○=1B1S ●=Hypro bearing

Frame size (mm)	Model No.	Bearing System Type	Rated Voltage (VDC)	Current (A)	Power (W)	Rated Speed (rpm)	Maximum AirFlow (CMM)	Maximum AirFlow (CFM)	Maximum Pressure (InAq)	Maximum Pressure (mmAq)	*Noise Level (dB/A)	Weight (g)
140x140x51	AS14012LB519B00	◎	12	1.80	21.60	2800	6.725	237.500	0.515	13.100	56.0	710.0
	AS14012MB519B00	◎	12	2.80	33.60	3200	7.838	276.800	0.669	17.000	60.0	
	AS14012HB519B00	◎	12	3.20	38.40	3600	8.973	316.900	0.834	21.200	64.0	
	AS14024LB519B00	◎	24	0.80	19.20	2800	6.725	237.500	0.515	13.100	56.0	
	AS14024MB519B00	◎	24	1.10	26.40	3200	7.838	276.800	0.669	17.000	60.0	
	AS14024HB519B00	◎	24	1.50	36.00	3600	8.973	316.900	0.834	21.200	64.0	
	AS14048LB519B00	◎	48	0.36	17.28	2800	6.725	237.500	0.515	13.100	56.0	
	AS14048MB519B00	◎	48	0.51	24.48	3200	7.838	276.800	0.669	17.000	60.0	
	AS14048HB519B00	◎	48	0.73	35.04	3600	8.973	316.900	0.834	21.200	64.0	

Specifications subject to change without notice.



*Motor protective circuit and third lead wire functions

0	1	2	3	4	6	7	8	9	A	B
	✓	✓	✓							✓

*Safety approvals

✓	✓		✓	✓