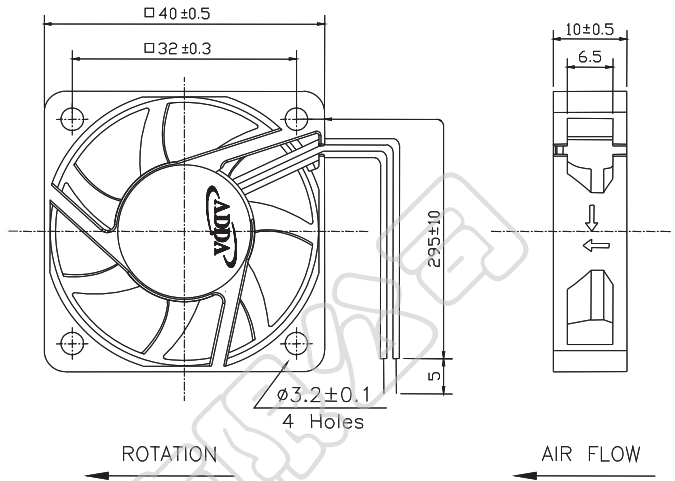




AG4010 SERIES



External Dimensions



Frame: Plastic (UL:94V-0)
 Impeller: Plastic (UL:94V-0)
 Lead wire: UL1007AWG26

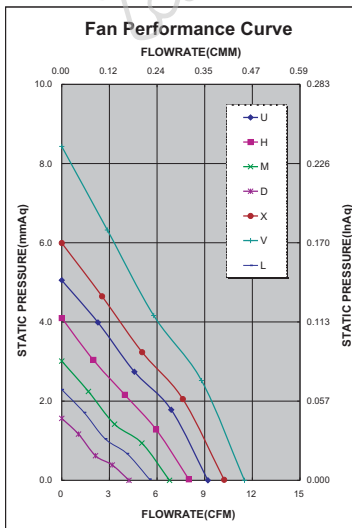
Specifications (Nominal)

*Noise is measured at the distance of one (1) meter from the axis of intake.

Bearing type: \odot =Ball \ast =Sleeve \circ =1B1S \bullet =Hypro bearing

Frame size (mm)	Model No.	Bearing System Type	Rated Voltage (VDC)	Current (A)	Power (W)	Rated Speed (rpm)	Maximum AirFlow (CMM)	Maximum AirFlow (CFM)	Maximum Pressure (InAq)	Maximum Pressure (mmAq)	*Noise Level (dB/A)	Weight (g)
40x40x10	AG04012DB107100	\odot	12	0.05	0.60	4000	0.118	4.200	0.060	1.524	15.0	17.0
	AG04012LB107100	\odot	12	0.06	0.72	5000	0.154	5.460	0.086	2.184	23.2	
	AG04012MB107100	\odot	12	0.07	0.84	6000	0.192	6.810	0.120	3.048	26.5	
	AG04012HB107100	\odot	12	0.08	0.96	7000	0.227	8.040	0.163	4.140	31.0	
	AG04012UB107100	\odot	12	0.10	1.20	8000	0.260	9.210	0.200	5.080	35.7	
	AG04012XB107100	\odot	12	0.13	1.56	9000	0.291	10.310	0.234	5.943	37.2	
	AG04012VB107100	\odot	12	0.17	2.04	10000	0.322	11.400	0.332	8.432	39.1	

Specifications subject to change without notice.



*Motor protective circuit and third lead wire functions

0	1	2	3	4	6	7	8	9	A	B
	✓	✓	✓							

*Safety approvals

✓	✓		✓	✓