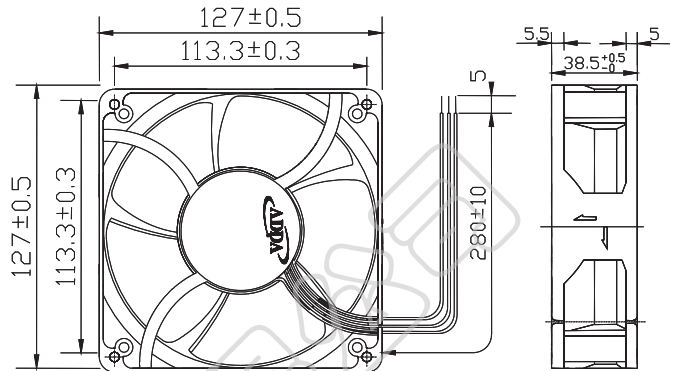




AG12738 SERIES

External Dimensions



Frame: Plastic(UL:94V-0)
 Impeller: Plastic(UL:94V-0)
 Lead wire: UL1007AWG24

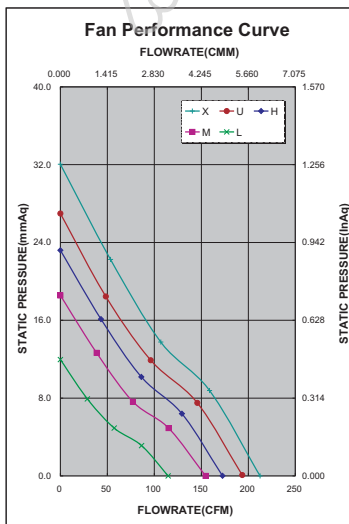
Specifications(Nominal)

*Noise is measured at the distance of one (1) meter from the axis of intake.

Bearing type: ⊙=Ball ⊛=Sleeve ○=1B1S ●=Hypro bearing

Frame size (mm)	Model No.	Bearing System Type	Rated Voltage (VDC)	Current (A)	Power (W)	Rated Speed (rpm)	Maximum AirFlow (CMM)	Maximum AirFlow (CFM)	Maximum Pressure (InAq)	Maximum Pressure (mmAq)	*Noise Level (dB/A)	Weight (g)
127x127x38	AG12712LB385B00(0CU)	⊙	12	0.29	3.48	3000	3.247	114.760	0.470	11.938	46.4	360.0
	AG12712MB385B00(0CU)	⊙	12	0.63	7.56	4000	4.371	154.481	0.730	18.542	53.4	
	AG12712HB385B00(0CU)	⊙	12	0.83	9.96	4500	4.882	172.523	0.913	23.190	56.6	
	AG12712UB385B00(0CU)	⊙	12	1.16	13.92	5000	5.477	193.550	1.062	26.974	59.5	
	AG12724LB385B00(0CU)	⊙	24	0.15	3.60	3000	3.247	114.760	0.470	11.938	46.4	
	AG12724MB385B00(0CU)	⊙	24	0.30	7.20	4000	4.371	154.481	0.730	18.542	53.4	
	AG12724HB385B00(0CU)	⊙	24	0.43	10.32	4500	4.882	172.523	0.913	23.190	56.6	
	AG12724UB385B00(0CU)	⊙	24	0.55	13.20	5000	5.477	193.550	1.062	26.974	59.5	
	AG12724XB385B00(0CU)	⊙	24	0.73	17.52	5500	6.012	212.446	1.261	32.029	61.7	
	AG12748LB385B00(0CU)	⊙	48	0.09	4.32	3000	3.247	114.760	0.470	11.938	46.4	
	AG12748MB385B00(0CU)	⊙	48	0.17	8.16	4000	4.371	154.481	0.730	18.542	53.4	
	AG12748HB385B00(0CU)	⊙	48	0.23	11.04	4500	4.882	172.523	0.913	23.190	56.6	
	AG12748UB385B00(0CU)	⊙	48	0.29	13.92	5000	5.477	193.550	1.062	26.974	59.5	
	AG12748XB385B00(0CU)	⊙	48	0.38	18.24	5500	6.012	212.446	1.261	32.029	61.7	

Specifications subject to change without notice.



*Motor protective circuit and third lead wire functions

0	1	2	3	4	6	7	8	9	A	B
	✓	✓	✓					✓		✓

*Safety approvals

				✓