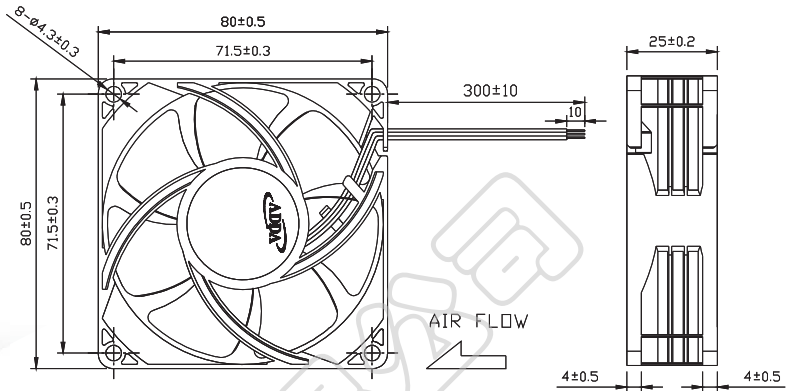




# AD8025 SERIES

Preliminary

## External Dimensions



Frame: Plastic(UL:94V-0)  
 Impeller: Plastic(UL:94V-0)  
 Lead wire: UL1007AWG26

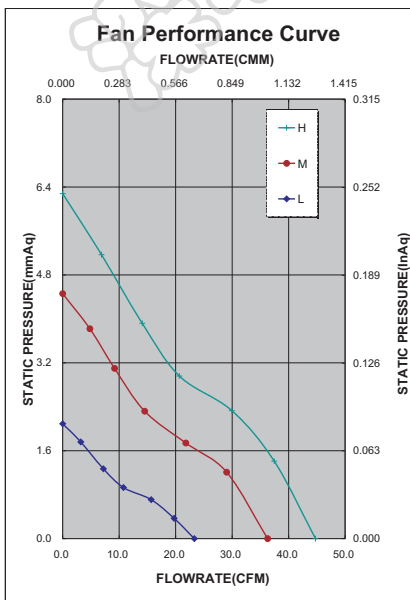
## Specifications(Nominal)

\*Noise is measured at the distance of one (1) meter from the axis of intake.

Bearing type: ○=Ball ※=Sleeve ◯=1B1S ●=Hypro bearing

Frame size (mm)	Model No.	Bearing System Type	Rated Voltage (VDC)	Current (A)	Power (W)	Rated Speed (rpm)	Maximum AirFlow (CMM)	Maximum AirFlow (CFM)	Maximum Pressure (InAq)	Maximum Pressure (mmAq)	*Noise Level (dB/A)	Weight (g)
80x80x25	AD08012LB2576A0(OHT)	◎	12	0.08	0.96	2000	0.660	23.313	0.082	2.090	23.6	
	AD08012MB2576A0(OHT)	◎	12	0.14	1.68	3000	1.016	36.287	0.175	4.460	32.9	93.5
	AD08012HB2576A0(OHT)	◎	12	0.21	2.52	3700	1.267	44.760	0.247	6.280	37.9	

Specifications subject to change without notice.



\*Motor protective circuit and third lead wire functions

0	1	2	3	4	6	7	8	9	A	B
✓					✓					

\*Safety approvals

✓	✓		✓	✓