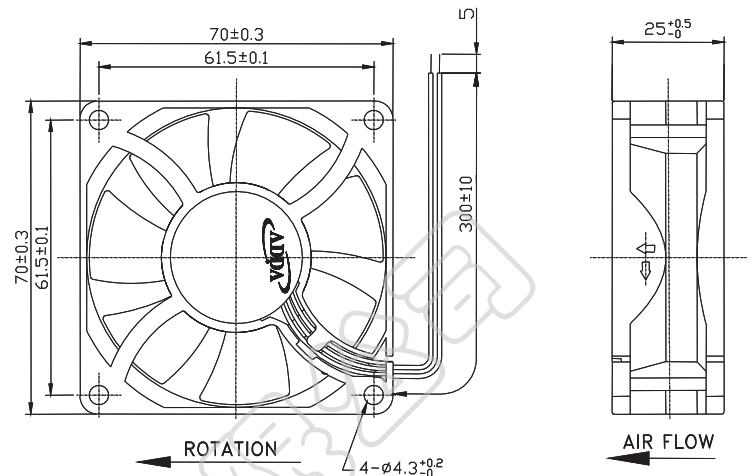




AD7025GP SERIES



External Dimensions



Frame:Plastic(UL:94V-0)
 Impeller:Plastic(UL:94V-0)
 Lead wire:UL1007AWG24

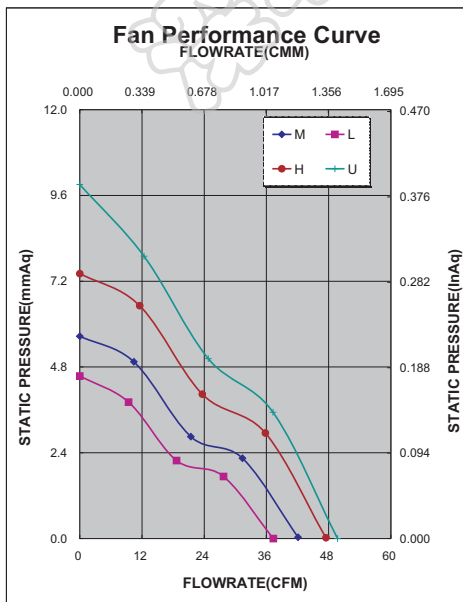
Specifications(Nominal)

*Noise is measured at the distance of one (1) meter from the axis of intake.

Bearing type: ◎=Ball ※=Sleeve ○=1B1S ●=Hypro bearing

Frame size (mm)	Model No.	Bearing System Type	Rated Voltage (VDC)	Current (A)	Power (W)	Rated Speed (rpm)	Maximum AirFlow (CMM)	Maximum AirFlow (CFM)	Maximum Pressure (InAq)	Maximum Pressure (mmAq)	*Noise Level (dB/A)	Weight (g)
70x70x25	AD0712LB-A73GP	◎	12	0.17	2.04	3700	1.056	37.30	0.178	4.52	36.8	90.0
	AD0712MB-A73GP	◎	12	0.22	2.62	4200	1.189	42.00	0.222	5.64	40.6	
	AD0712HB-A73GP	◎	12	0.30	3.60	4700	1.327	46.90	0.300	7.62	43.0	
	AD0712UB-A73GP	◎	12	0.33	3.96	5000	1.407	49.70	0.380	9.65	44.0	

Specifications subject to change without notice.



*Motor protective circuit and third lead wire functions

0	1	2	3	4	6	7	8	9	A	B
✓										

*Safety approvals

✓	✓		✓	✓