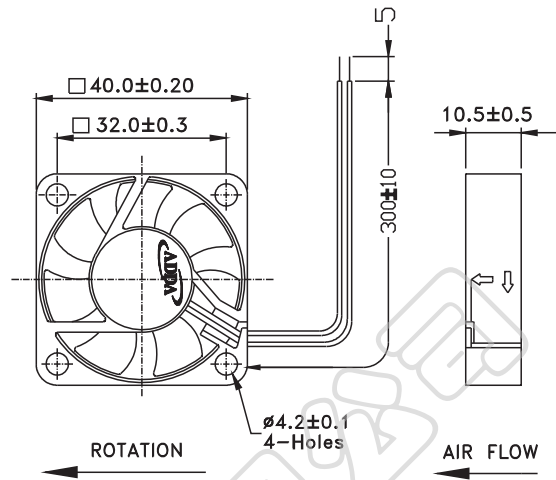




AD4010 SERIES

External Dimensions



Frame: Plastic(UL:94V-0)
 Impeller: Plastic(UL:94V-0)
 Lead wire: UL1007AWG26

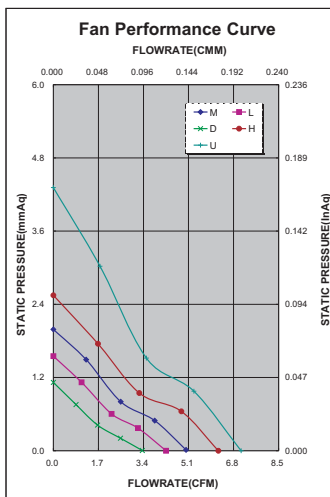
Specifications(Nominal)

*Noise is measured at the distance of one (1) meter from the axis of intake.

Bearing type: ○=Ball ※=Sleeve ◯=1B1S ●=Hypro bearing

Frame size (mm)	Model No.	Bearing System Type	Rated Voltage (VDC)	Current (A)	Power (W)	Rated Speed (rpm)	Maximum AirFlow		Maximum Pressure		*Noise Level (dB/A)	Weight (g)
							(CMM)	(CFM)	(InAq)	(mmAq)		
40x40x10	AD0405DB-G70(T)	◎ ※ ○ ●	5	0.05	0.25	3300	0.093	3.300	0.044	1.117	14.0	17.0
	AD0405LB-G70(T)	◎ ※ ○ ●	5	0.07	0.35	4200	0.119	4.200	0.060	1.524	21.0	
	AD0405MB-G70(T)	◎ ※ ○ ●	5	0.11	0.55	4800	0.142	5.000	0.078	1.981	22.0	
	AD0405HB-G70(T)	◎ ※ ○ ●	5	0.16	0.80	6000	0.175	6.200	0.100	2.540	26.0	
	AD0405UB-G70(T)	◎ ※ ○ ●	5	0.19	0.95	6800	0.198	7.000	0.170	4.318	29.0	
	AD0412DB-G70(T)	◎ ※ ○ ●	12	0.04	0.48	3300	0.093	3.300	0.044	1.117	14.0	
	AD0412LB-G70(T)	◎ ※ ○ ●	12	0.06	0.72	4200	0.119	4.200	0.060	1.524	21.0	
	AD0412MB-G70(T)	◎ ※ ○ ●	12	0.06	0.72	4800	0.142	5.000	0.078	1.981	22.0	
	AD0412HB-G70(T)	◎ ※ ○ ●	12	0.09	1.08	6000	0.175	6.200	0.100	2.540	26.0	
	AD0412UB-G70(T)	◎ ※ ○ ●	12	0.09	1.08	6800	0.198	7.000	0.170	4.318	29.0	
	AD0424DB-G70(T)	◎ ※ ○ ●	24	0.02	0.48	3300	0.093	3.300	0.044	1.117	14.0	
	AD0424LB-G70(T)	◎ ※ ○ ●	24	0.03	0.72	4200	0.119	4.200	0.060	1.524	21.0	
	AD0424MB-G70(T)	◎ ※ ○ ●	24	0.04	0.96	4800	0.142	5.000	0.078	1.981	22.0	
	AD0424HB-G70(T)	◎ ※ ○ ●	24	0.06	1.44	6000	0.175	6.200	0.100	2.540	26.0	
	AD0424UB-G70(T)	◎ ※ ○ ●	24	0.08	1.92	6800	0.198	7.000	0.170	4.318	29.0	

Specifications subject to change without notice.



*Motor protective circuit and third lead wire functions

0	1	2	3	4	6	7	8	9	A	B
✓	✓	✓	✓		✓			✓		✓

*Safety approvals

✓	✓		✓	✓