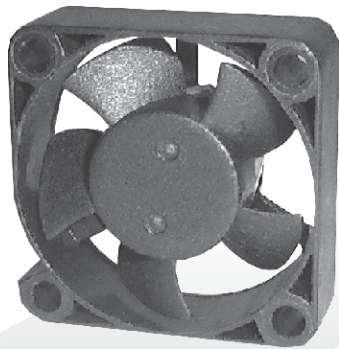
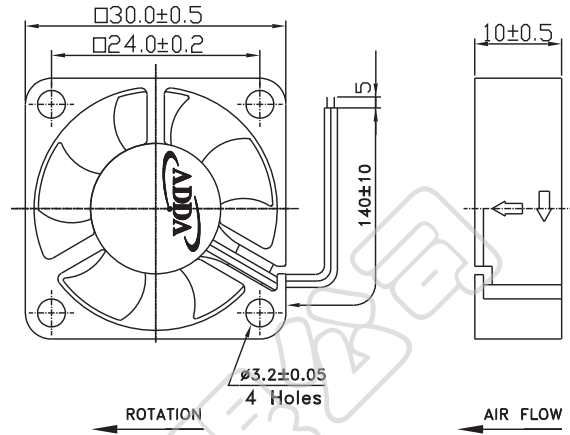




AD3010 SERIES



External Dimensions



Frame: Plastic (UL: 94V-0)
 Impeller: Plastic (UL: 94V-0)
 Lead wire: UL 1571 AWG28

Specifications (Nominal)

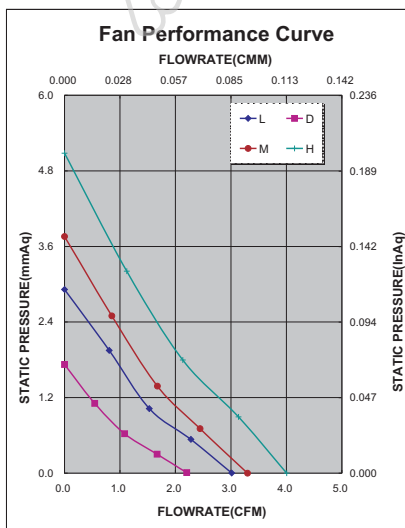
*Noise is measured at the distance of one (1) meter from the axis of intake.

Bearing type: ⊙=Ball ○=1B1S ●=Hypro bearing

Frame size (mm)	Model No.	Bearing System Type	Rated Voltage (VDC)	Current (A)	Power (W)	Rated Speed (rpm)	Maximum AirFlow (CMM)	Maximum AirFlow (CFM)	Maximum Pressure (InAq)	Maximum Pressure (mmAq)	*Noise Level (dB/A)	Weight (g)
30x30x10	AD0305DB-G50	⊙ ○ ●	5	0.450	0.225	6000	0.062	2.200	0.068	1.727	19.0	8.0
	AD0305LB-G50	⊙ ○ ●	5	0.070	0.350	8000	0.084	3.000	0.115	2.921	26.0	
	AD0305MB-G50	⊙ ○ ●	5	0.102	0.510	9000	0.093	3.300	0.148	3.759	30.0	
	AD0305HB-G50	⊙ ○ ●	5	0.095	0.475	10500	0.113	4.000	0.200	5.080	34.0	
	AD0312DB-G50	⊙ ○ ●	12	0.035	0.420	6000	0.062	2.200	0.068	1.727	19.0	
	AD0312LB-G50	⊙ ○ ●	12	0.050	0.600	8000	0.084	3.000	0.115	2.921	26.0	
	AD0312MB-G50	⊙ ○ ●	12	0.045	0.540	9000	0.093	3.300	0.148	3.759	30.0	
	AD0312HB-G50	⊙ ○ ●	12	0.053	0.636	10500	0.113	4.000	0.200	5.080	34.0	

Specifications subject to change without notice.

The specification for bearing type is for reference only, for more bearing types information, please contact with your ADDA sales representative, thanks!!
 (網頁上呈現產品軸承資訊均以2Ball為主, 若需其他產品資訊請聯絡您在ADDA的業務代表, 謝謝!!)



*Motor protective circuit and third lead wire functions

0	1	2	3	4	6	7	8	9	A	B
✓	✓		✓	✓						

*Safety approvals

✓	✓		✓	✓