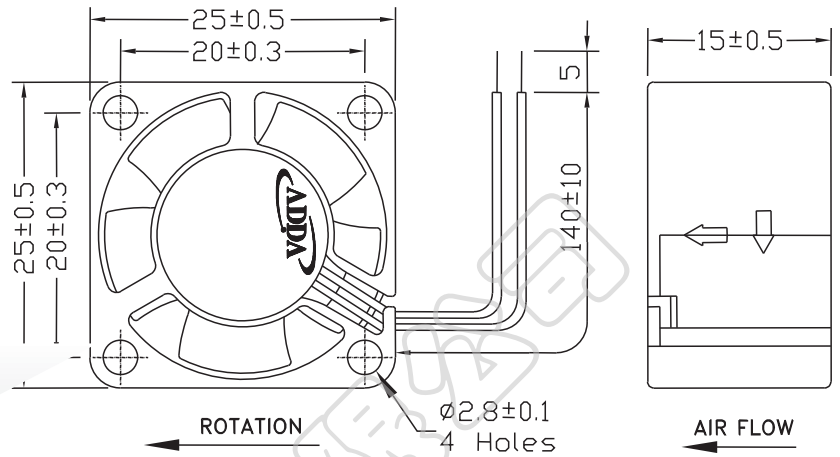
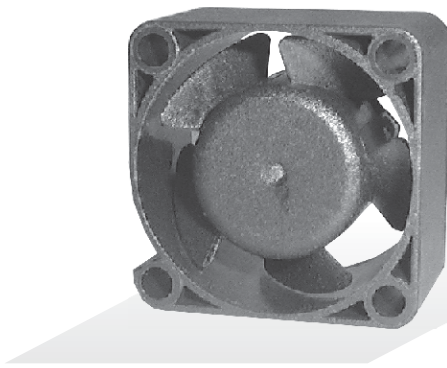




AD2515 SERIES

External Dimensions



Frame: Plastic (UL:94V-0)
 Impeller: Plastic (UL:94V-0)
 Lead wire: UL1571AWG28

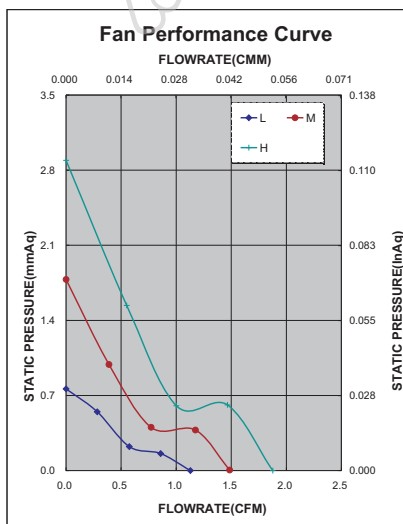
Specifications (Nominal)

*Noise is measured at the distance of one (1) meter from the axis of intake.

Frame size (mm)	Model No.	Bearing System Type	Rated Voltage (VDC)	Current (A)	Power (W)	Rated Speed (rpm)	Maximum AirFlow		Maximum Pressure		*Noise Level (dB/A)	Weight (g)
							(CMM)	(CFM)	(InAq)	(mmAq)		
25x25x15	AD0205LX-D50	◎ ●	5	0.038	0.190	5000	0.031	1.120	0.030	0.762	14.0	8.0
	AD0205MX-D50	◎ ●	5	0.045	0.225	6000	0.042	1.484	0.070	1.778	17.5	
	AD0205HX-D50	◎ ●	5	0.109	0.545	8000	0.053	1.873	0.114	2.895	20.0	
	AD0205HX-D51	◎ ●	5	0.070	0.350	8000	0.053	1.873	0.114	2.895	20.0	

Specifications subject to change without notice.

The specification for bearing type is for reference only, for more bearing types information, please contact with your ADDA sales representative, thanks!!
 (網頁上呈現產品軸承資訊均以2Ball為主, 若需其他產品資訊請聯絡您在ADDA的業務代表, 謝謝!!)



*Motor protective circuit and third lead wire functions

0	1	2	3	4	6	7	8	9	A	B
✓	✓		✓		✓					

*Safety approvals

✓	✓		✓	✓