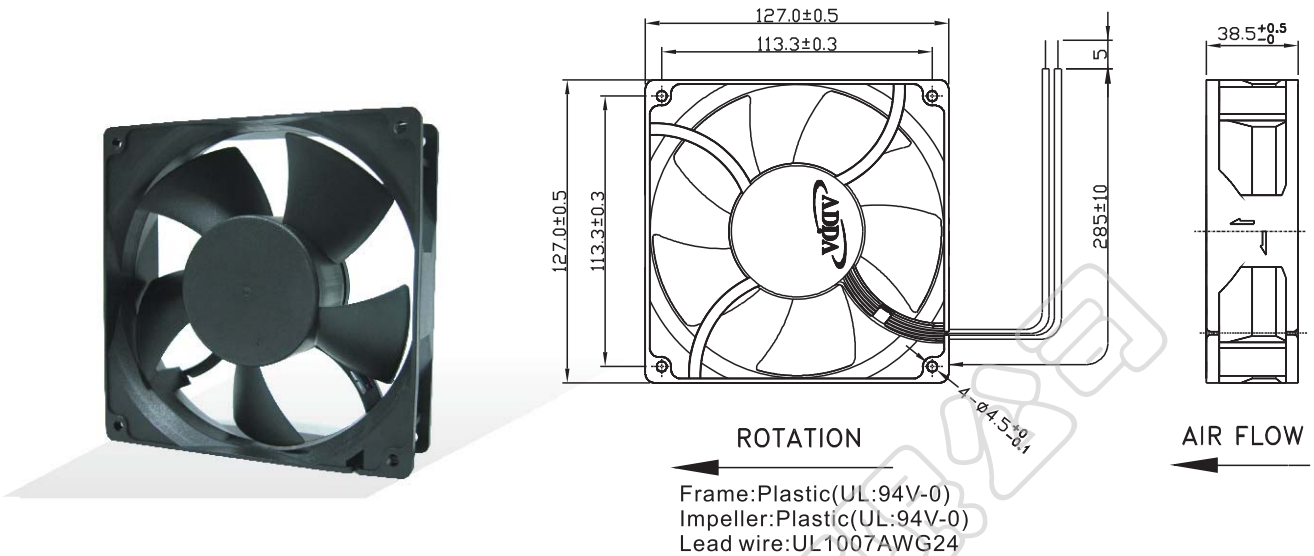




# AD12738 SERIES

## External Dimensions



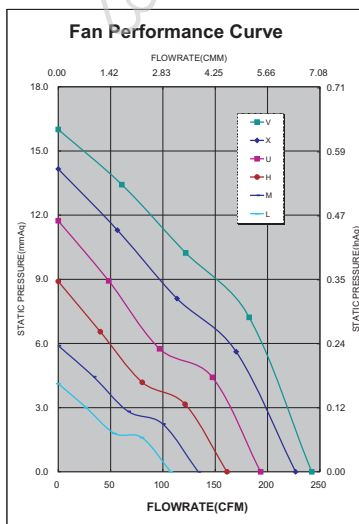
## Specifications(Nominal)

\*Noise is measured at the distance of one (1) meter from the axis of intake.

Bearing type: ⊙=Ball ⊛=Sleeve ○=1B1S ●=Hypro bearing

Frame size (mm)	Model No.	Bearing System Type	Rated Voltage (VDC)	Current (A)	Power (W)	Rated Speed (rpm)	Maximum AirFlow (CMM)	Maximum AirFlow (CFM)	Maximum Pressure (InAq)	Maximum Pressure (mmAq)	*Noise Level (dB/A)	Weight (g)
127x127x38	AD1312LB-F51	⊙	12	0.25	3.00	2000	3.041	107.490	0.162	4.114	41.0	370.0
	AD1312MB-F51	⊙	12	0.38	4.56	2500	3.782	133.658	0.239	6.070	47.5	
	AD1312HB-F51	⊙	12	0.65	7.80	2950	4.561	161.172	0.350	8.890	53.0	
	AD1312UB-F51(CU)	⊙	12	1.06	12.72	3500	5.472	193.373	0.462	11.734	56.0	
	AD1312XB-F51(CU)	⊙	12	1.95	23.40	4100	6.413	226.628	0.557	14.147	62.0	
	AD1324LB-F51	⊙	24	0.15	3.60	2000	3.041	107.490	0.162	4.114	41.0	
	AD1324MB-F51	⊙	24	0.22	5.28	2500	3.782	133.658	0.239	6.070	47.5	
	AD1324HB-F51	⊙	24	0.36	8.64	2950	4.561	161.172	0.350	8.890	53.0	
	AD1324UB-F51(CU)	⊙	24	0.50	12.00	3500	5.472	193.373	0.462	11.734	56.0	
	AD1324XB-F51(CU)	⊙	24	0.94	22.56	4100	6.413	226.628	0.557	14.147	62.0	
	AD1324VB-F51(CU)	⊙	24	1.10	26.40	4500	6.852	242.146	0.630	16.002	64.5	
	AD1348LB-F51	⊙	48	0.11	5.28	2000	3.041	107.490	0.162	4.114	41.0	
	AD1348MB-F51	⊙	48	0.15	7.20	2500	3.782	133.658	0.239	6.070	47.5	
	AD1348HB-F51	⊙	48	0.21	10.08	2950	4.561	161.172	0.350	8.890	53.0	
	AD1348UB-F51(CU)	⊙	48	0.31	14.88	3500	5.472	193.373	0.462	11.734	56.0	
	AD1348XB-F51(CU)	⊙	48	0.50	24.00	4100	6.413	226.628	0.557	14.147	62.0	
	AD1348VB-F51(CU)	⊙	48	0.64	30.72	4500	6.852	242.146	0.630	16.002	64.5	

Specifications subject to change without notice.



\*Motor protective circuit and third lead wire functions

0	1	2	3	4	6	7	8	9	A	B
	✓	✓	✓					✓		✓

\*Safety approvals

✓	✓		✓	✓