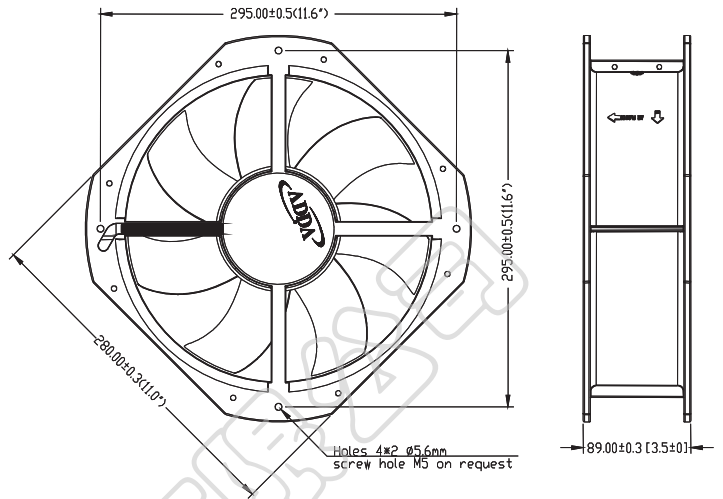




AK28089 SERIES



External Dimensions



Frame: Aluminum Alloy
 Impeller: Plastic (UL: 94V-0)
 Motor Structure: Capacitor-Run Induction Motor.
 Motor Protection: Thermal Protect.
 Bearing: Ball bearing
 Lead wire: UL 1430 AWG22
 OPERATING TEMP*: -10°C~70°C
 *-10°C~60°C for fans with sleeve/ball combination bearings.

Specifications(Nominal)

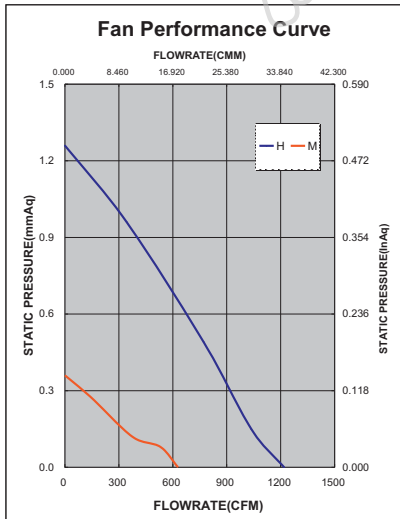
*Noise is measured at the distance of one (1) meter from the axis of intake.

Bearing type: ◎=Ball ※=Sleeve ○=1B1S ●=Hypro bearing

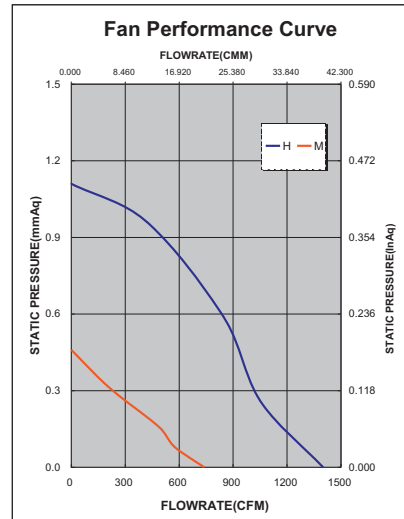
Frame size (mm)	Model No.	Bearing System Type	Volt. (VAC)	Freq. (Hz)	Current (A)	Power (W)	Rated Speed (rpm)	Maximum AirFlow (CMM)	Maximum AirFlow (CFM)	Maximum Pressure (InAq)	Maximum Pressure (mmAq)	*Noise Level (dB/A)	Weight (g)
280x89	AK2881HB	◎	115	50/60	1.80/2.60	180.00/260.00	2800/3000	33.960/39.620	1200.0/1400.0	0.050/0.044	1.260/1.110	75.0/78.0	3500
	AK2882HB		230		0.78/1.22	177.10/260.00							
	AK2881MB	◎	115	50/60	0.75/0.66	52.70/51.30	1450/1700	17.687/20.942	625.0/740.0	0.014/0.018	0.360/0.460	60.0/62.0	
	AK2882MB		230		0.26/0.27	52.10/54.30							

Specifications subject to change without notice.

50Hz



60Hz



*Safety approvals

✓	✓			