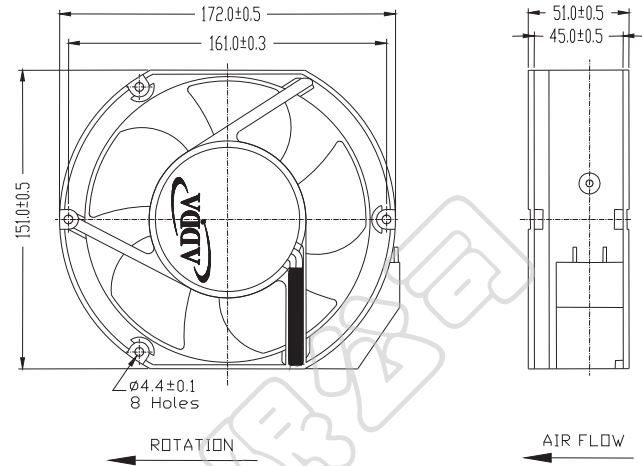




# AA17250 SERIES

## External Dimensions



Frame: Aluminum Alloy  
 Impeller: Plastic (UL:94V-0)  
 Bearing: Ball bearing  
 Lead wire: UL1015AWG18  
 OPERATING TEMP\*: -10C~70C  
 \*: -10C~60C for fans with sleeve/ball combination bearings.

## Specifications(Nominal)

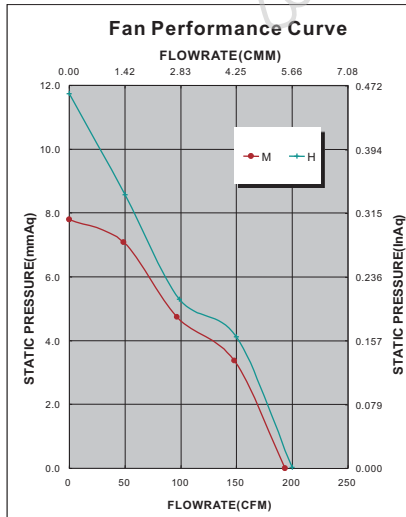
\*Noise is measured at the distance of one (1) meter from the axis of intake.

Bearing type: ◎=Ball ※=Sleeve ○=1B1S ●=Hypro bearing

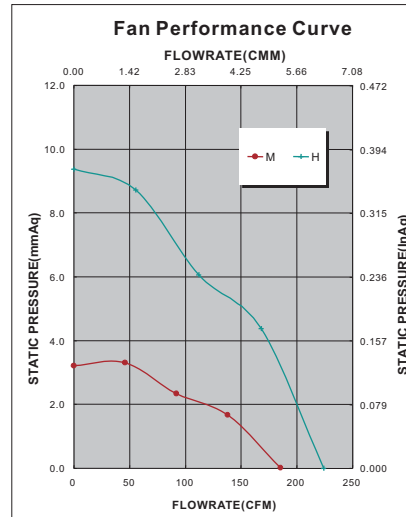
Frame size (mm)	Model No.	Bearing System Type	Volt./Freq. (VAC/Hz)	Current (A)	Power (W)	Rated Speed (rpm)	Maximum AirFlow (CMM)	Maximum AirFlow (CFM)	Maximum Pressure (InAq)	Maximum Pressure (mmAq)	*Noise Level (dB/A)	Weight (g)
172x150x50	AA1751HB-AT	◎	115/50	0.49	34.80	2600	5.519	195.00	0.368	9.350	52.3	930
			115/60	0.43	32.80	2800	5.660	200.00	0.188	4.770	53.0	
	AA1751MB-AT	◎	115/50	0.35	29.80	2600	5.476	186.00	0.370	7.796	50.5	
			115/60	0.34	29.30	2500	5.247	177.40	0.140	3.217	48.8	
	AA1752HB-AT	◎	230/50	0.26	60.70	2600	5.547	196.00	0.416	10.580	51.3	
			230/60	0.22	51.10	2800	5.943	210.00	0.246	6.252	53.9	
	AA1752MB-AT	◎	230/50	0.19	32.60	2600	5.476	185.30	0.360	7.796	50.4	
			230/60	0.19	29.90	2500	5.247	178.60	0.130	3.217	48.9	

Specifications subject to change without notice.

50Hz



60Hz



\*Safety approvals

✓	✓		✓	✓